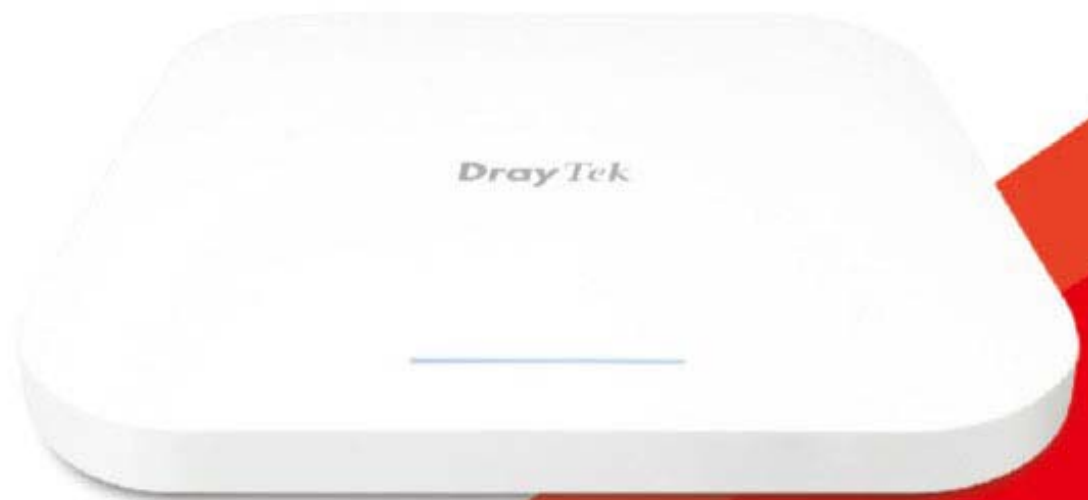


# ***DrayTek***

## VigorAP 1060C

802.11ax Ceiling-mount AP



QUICK START GUIDE

V1.1

# VigorAP 1060C 11ax Ceiling AP Quick Start Guide

Version: 1.1

Firmware Version: V1.4.0

(For future update, please visit [DrayTek web site](#))

Date: August 9, 2021

## ***Table of Contents***

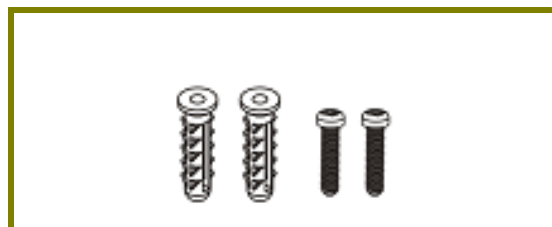
1. Package Content .....	1
2. Panel Explanation .....	2
3. Installation.....	3
3.1 Ceiling-mount Installation (Wooden Ceiling) .....	3
3.2 Ceiling-mount Installation (Plasterboard Ceiling) .....	4
3.3 Suspended Ceiling (Lightweight Steel Frame) Installation .....	5
3.4 Wall-Mounted Installation .....	6
4. Connection and Configuration.....	7
4.1 Connect to a Vigor Router using AP Management .....	7
4.2 Web Configurations .....	8
4.2.1 Connected As a Mesh Node (in Mesh Network) .....	8
4.2.2 Connected As an Access Point .....	8
5. Customer Service .....	11
Be a Registered Owner .....	11
Firmware & Tools Updates .....	11

# 1. Package Content

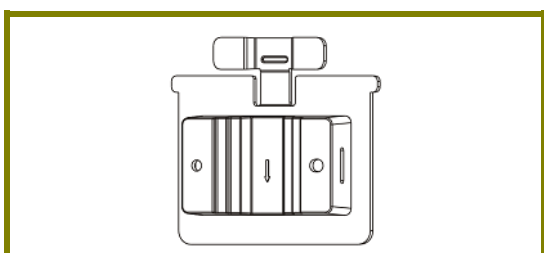
Take a look at the package content. If there is anything missed or damaged, please contact DrayTek or dealer immediately.



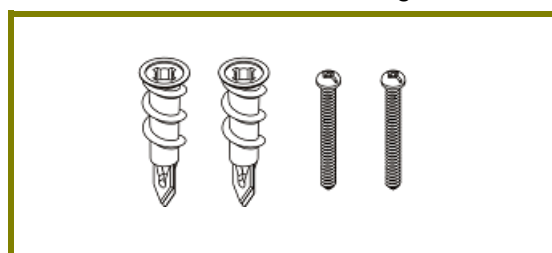
VigorAP 1060C Main Unit



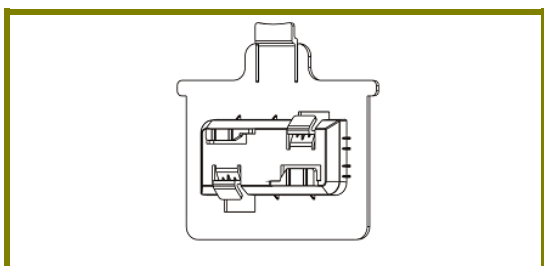
Screw Set  
(for wall mounting)



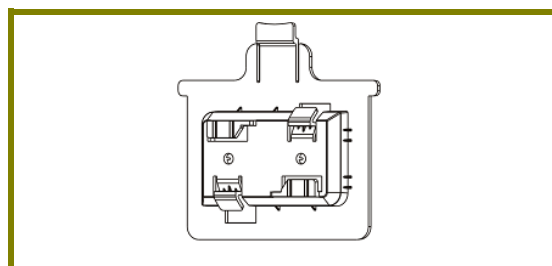
Mount Base  
(for wall mounting)



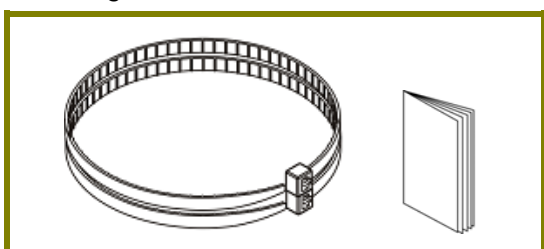
Fixings and Screws  
(for ceiling mounting)



Ceiling Mount Base for 9/16" T-Rail



Ceiling Mount Base for 15/16" T-Rail



Cable Tie & Quick Start Guide





RJ-45 Cable (Ethernet)



---

## Note

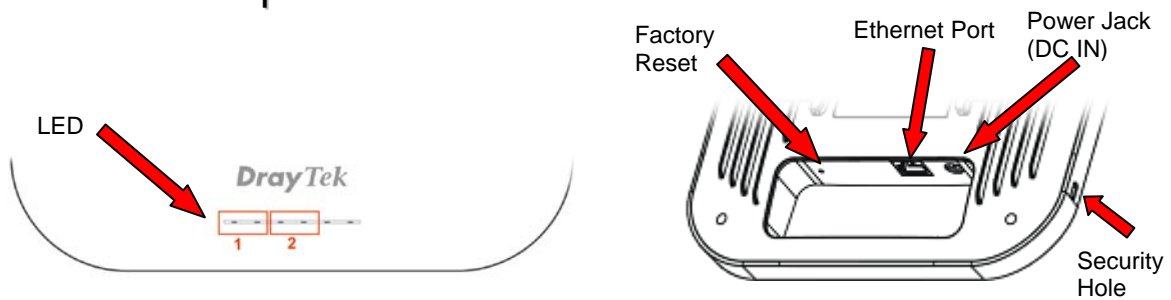
Power Input: 12V  2.5A

PoE Input: 54V  0.6A

Total Rated Power Consumption: 21 Watts

---

## 2. Panel Explanation



LED	Status	Explanation
1	On (Blue)	The system is in boot-loader mode.
	Off	The system is not ready or fails.
	Blinking(Blue)	The system is in TFTP mode.
2	Off	The system is not ready or fails.
	Blinking(Blue)	The system is ready and can work normally.

Interface	Explanation
Ethernet Port	Connects to LAN or router. Supports PoE power & Gigabit (2.5Gbps).
Power Jack(12V $\equiv$ 2.5A)	Connector for a power adapter.

Hole	Explanation
Factory Reset	Restores the unit back to factory default settings. To use, insert a small item such as an unbent paperclip into the hole. You will feel the button inside depress gently. Hold it for 5 seconds. The VigorAP will restart with the factory default configuration and the LED will blink blue.
Security Hole	A security hole for installing the anti-theft lock.



### Note

For the sake of security, make the accessory kit away from children.

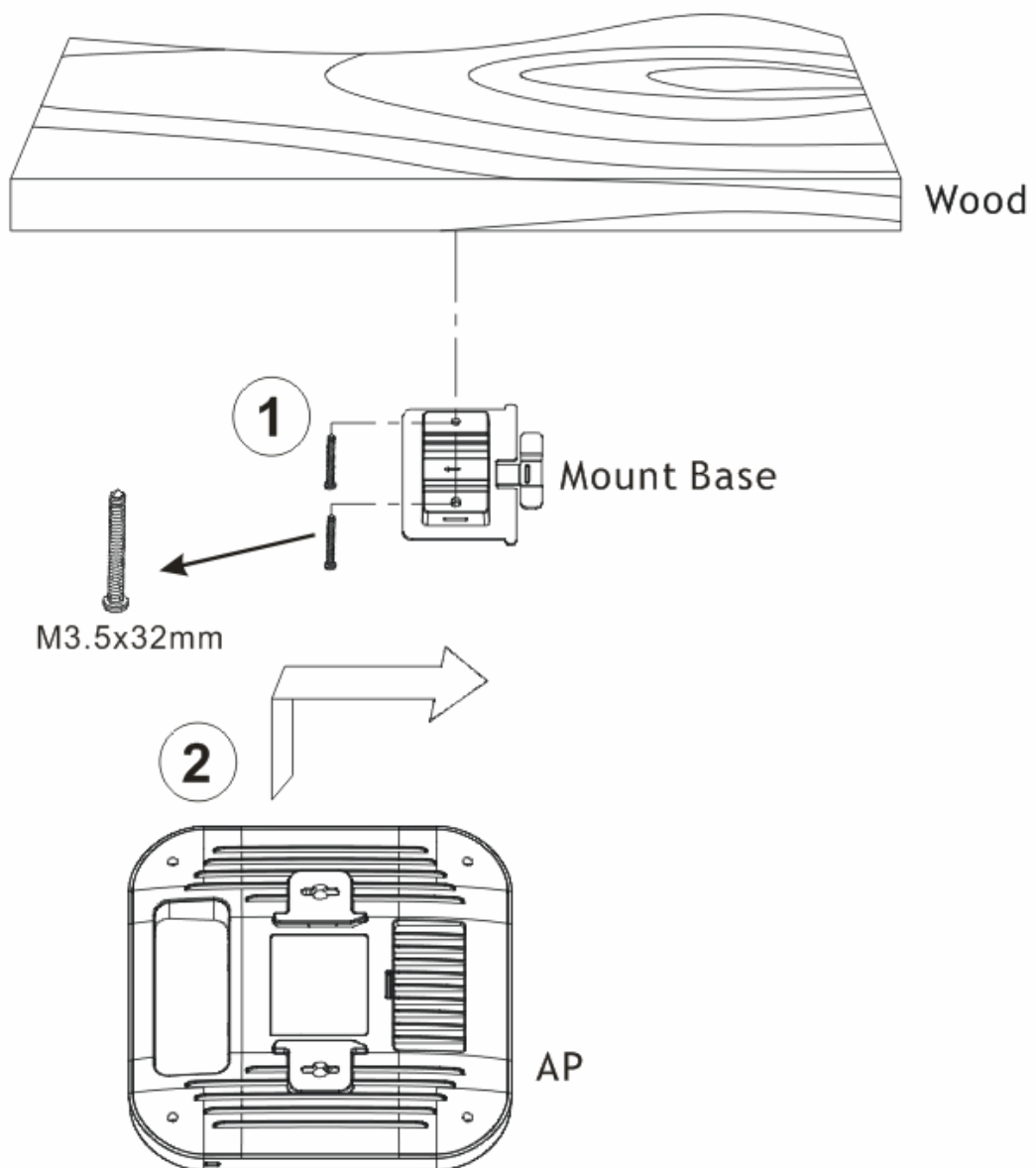
### 3. Installation

VigorAP can be installed under certain locations: wooden ceiling, plasterboard ceilings, light-weighted steel frame and wall.

#### 3.1 Ceiling-mount Installation (Wooden Ceiling)

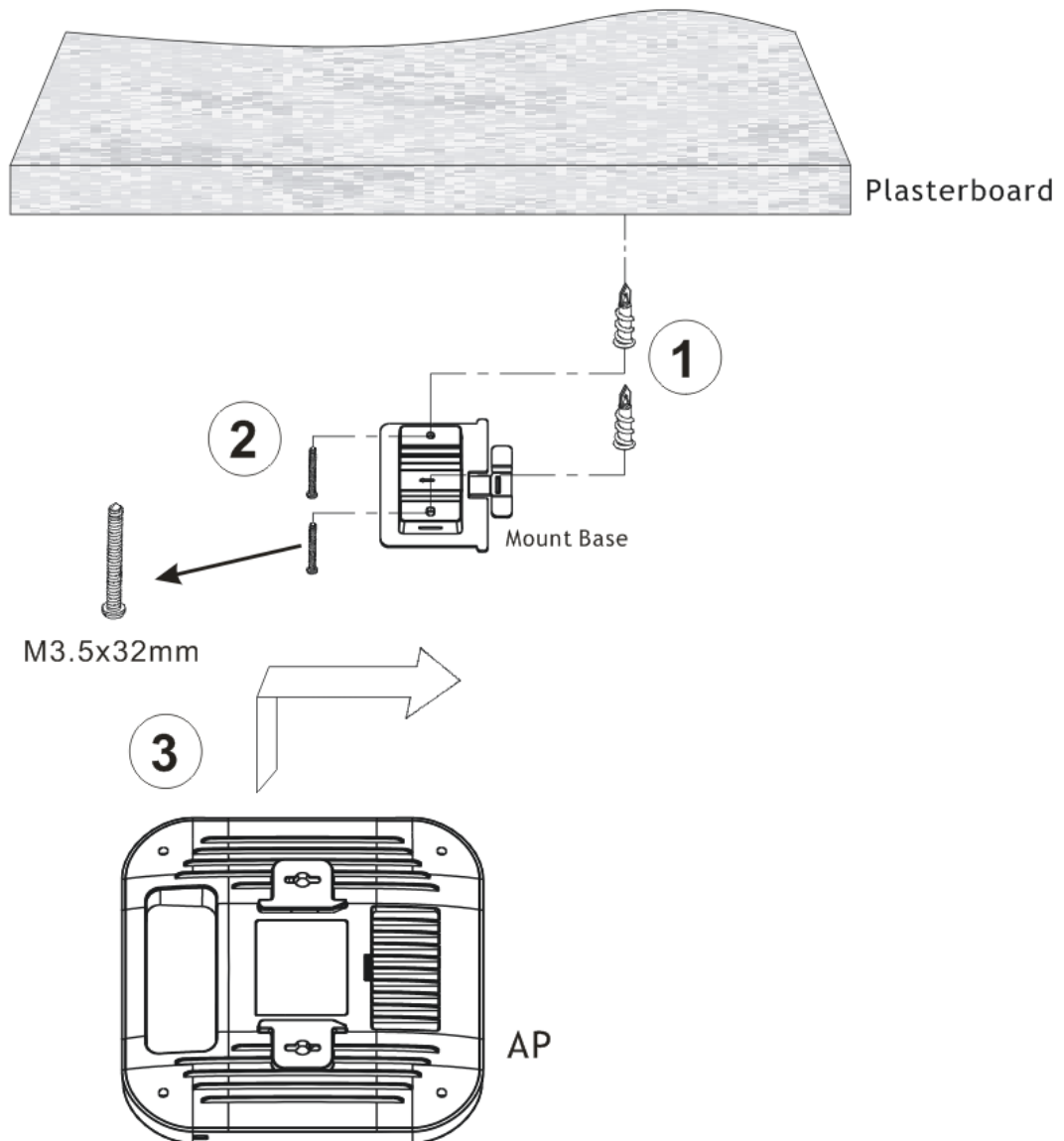
Determine where the Access Point to be placed and mark location on the surface for the two mounting holes. Use the appropriate drill bit to drill two holes in the markings and hammer the bolts into the openings.

1. Place the mount base under the wooden ceiling and fasten it on the ceiling with two screws firmly.
2. When the mount base is in place, slide the AP into the slot of the mount base.



### 3.2 Ceiling-mount Installation (Plasterboard Ceiling)

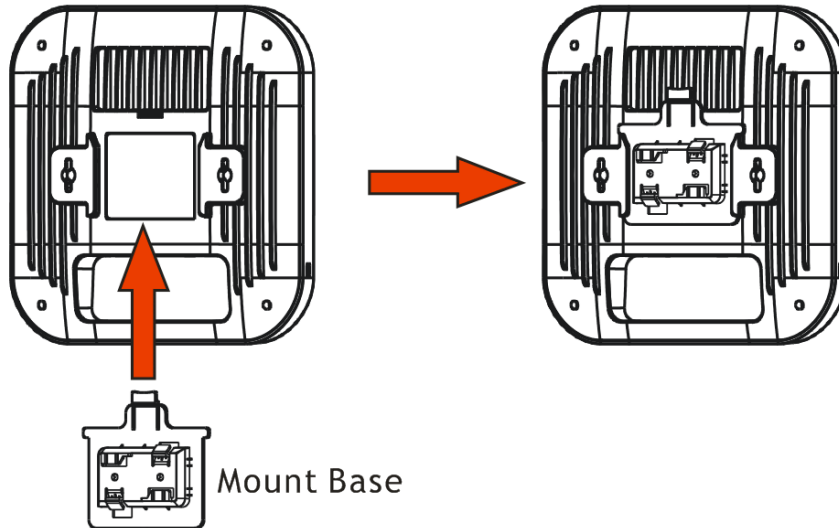
1. Insert two turnbuckles firmly into the plasterboard.
2. Set the Mount Base in the turnbuckles. Let the screws pass through the Mount Base and insert them into the turnbuckles. Fasten them to offer a more powerful supporting force.
3. When the Mount Base is in place, slide the mount base into the slot of the AP.



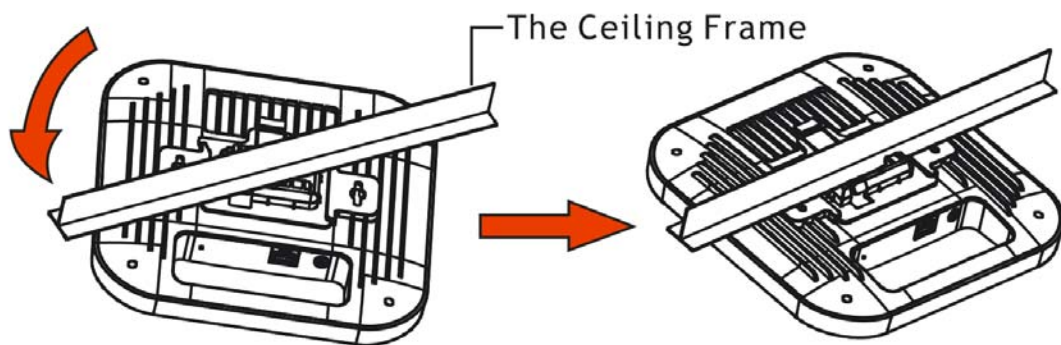
### 3.3 Suspended Ceiling (Lightweight Steel Frame) Installation

You cannot screw into ceiling tiles as they are weak and not suitable for bearing loads. Your VigorAP is supplied with mounts (Mount Base) which will be used to attach directly to the ceiling frame of your suspended ceiling.

1. Slide the mount base into the slot of the AP.



2. Hold the Access Point with one hand to reach the other hand over the T-Rail sides of the bracket.



3. Rotate and hook the stationary end of the ceiling mount base onto the T-Rail ceiling frame.



#### Note

Warning: The screw set shown below is for wall mounting only. Do not use such set for ceiling mounting due to the danger of falling.

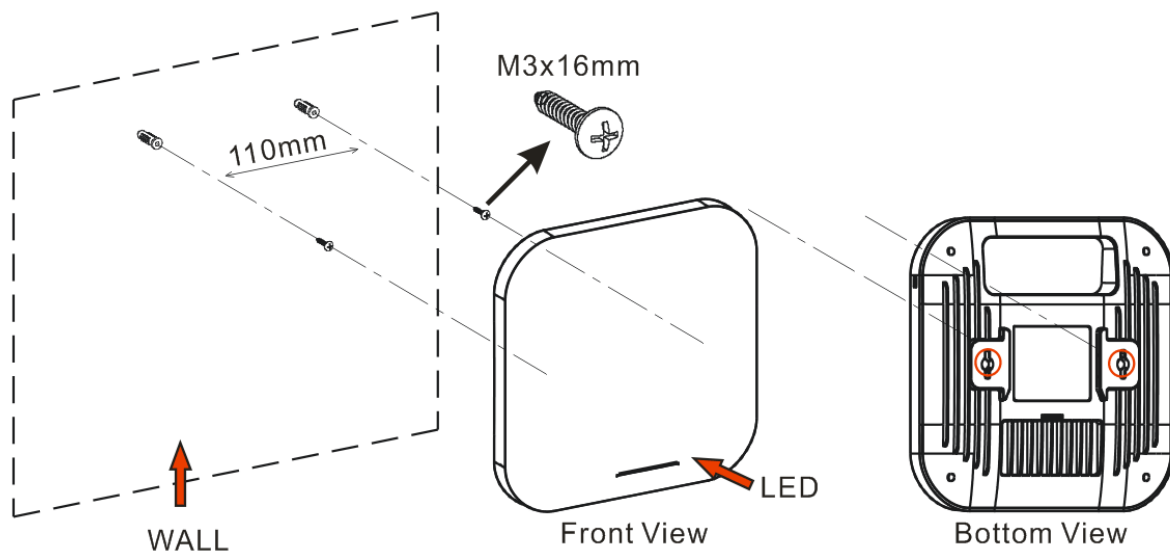




### 3.4 Wall-Mounted Installation

For wall-mounting, the VigorAP has keyhole type mounting slots on the underside.

1. Use the appropriate drill bit to drill two holes in the markings and hammer the bolts into the openings.
2. Screw the anchors unto the holes until they are flush with the wall; screw the included screws into the anchors.
3. Place the Access Point against wall with the mounting screw heads.



#### Note

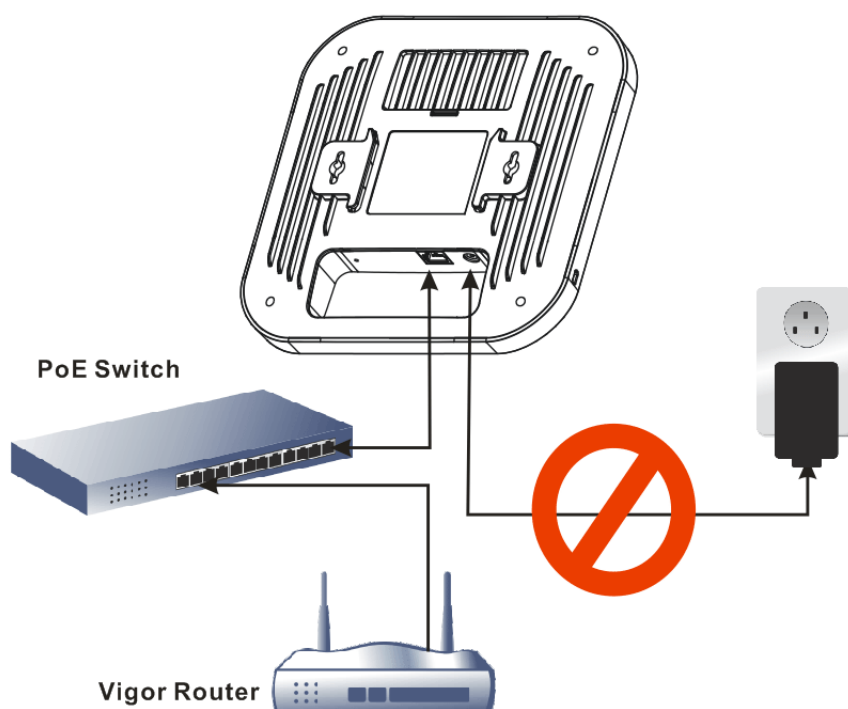
The recommended drill diameter is 6.5mm (1/4").

## 4. Connection and Configuration

### 4.1 Connect to a Vigor Router using AP Management

Your VigorAP can be used with Vigor routers which support AP management (such as the Vigor2865 or Vigor2927 series). AP Management enables you to monitor and manage multiple DrayTek APs from a single interface.

1. Connect VigorAP to PoE switch (via LAN port) with Ethernet cable. VigorAP will get the power from the switch directly. Then, connect the VigorSwitch to a Vigor router.



2. Access into the web user interface of Vigor router. Here we take Vigor2865 as an example. Open **Central Management>>AP>>Status**.

Index	Device Name	IP Address	SSID	Encryption	Ch.	WL Client	Version	Password	
1	AP810_007620482810	10.28.60.11						Password	x
	AP1060C_00507F22334	10.28.60.12						Password	x

**Note:**  
Green : Online    Red : Offline    ?) Grey : Hidden SSID

Maximum support 20 APs.

When AP Devices connect via another intermediate router or switch, please check/unblock the following ports **UDP:67,68,4944** and **TCP:80** of the router/switch, thus AP status can be retrieved.

3. Locate VigorAP 1060C. Click the IP address assigned by Vigor router to access into web user interface of VigorAP 1060C.
4. After entering the username and password (admin/admin), the main screen will be displayed.

## 4.2 Web Configurations

This section will guide you to install the AP and make configuration for VigorAP.

### 4.2.1 Connected As a Mesh Node (in Mesh Network)

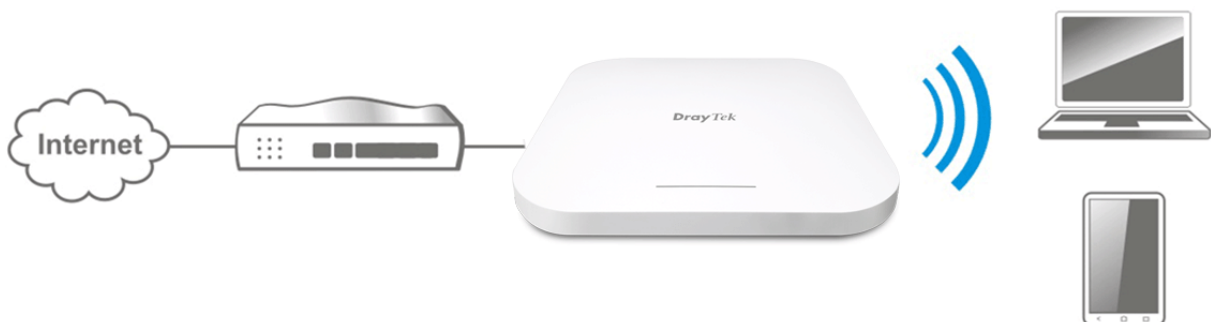


- 1 Install VigorAP on to the ceiling.
- 2 As a mesh node, settings related to VigorAP 1060C must be configured by a remote Mesh Root (e.g., VigorAP 903) within the mesh network. The user must detect VigorAP 1060C via a Mesh Root to add it as a mesh node.

### 4.2.2 Connected As an Access Point

As an access point, VigorAP 1060C must be connected to a router and configured in AP (Access Point) / Range Extender mode.

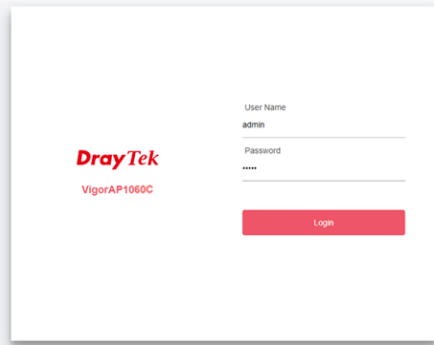
- 1 Install VigorAP on to the ceiling.
- 2 Use a twisted-pair cable with RJ-45 plugs at both ends, and plug into Ethernet device (e.g., Vigor router) and Ethernet port of VigorAP.



**3** There are **two methods** to configure VigorAP.

**Method 1:**

(a) First, open a web browser on your PC and type **https://192.168.1.2**. A pop-up window will open to ask for username and password.

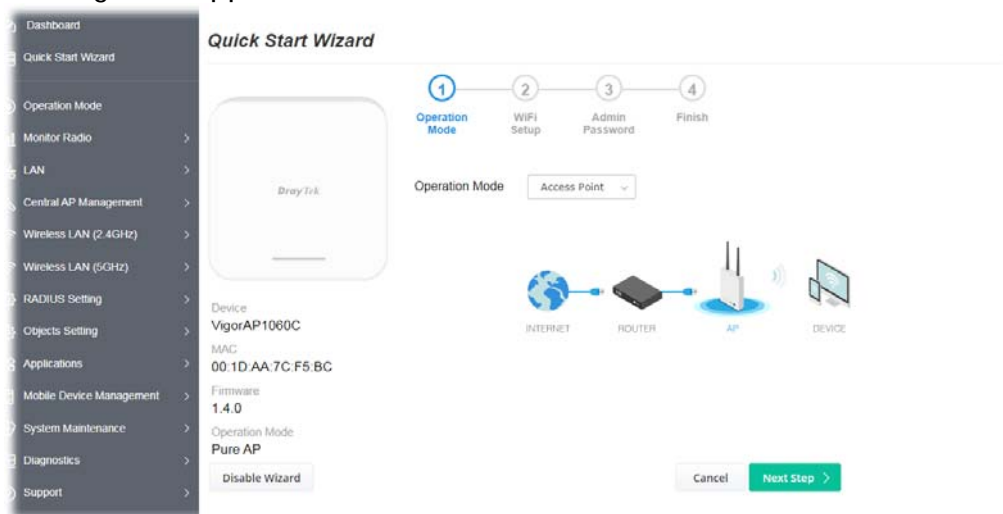


**Note**

You may either simply set up your computer to get IP dynamically from the router or set up the IP address of the computer to be in the same subnet as the IP address of VigorAP 1060C.

- If there is no DHCP server on the network, then VigorAP 1060C will have an IP address of 192.168.1.2.
- If there is DHCP available on the network, then VigorAP 1060C will receive its IP address via the DHCP server.
- If you connect to VigorAP by wireless LAN, you could try to access the web user interface through <http://vigorap.com>.

(b) After clicking **Login**, **Quick Start Wizard** for configuring wireless settings will appear as follows.



(c) Follow the on-screen steps to finish the network connection.

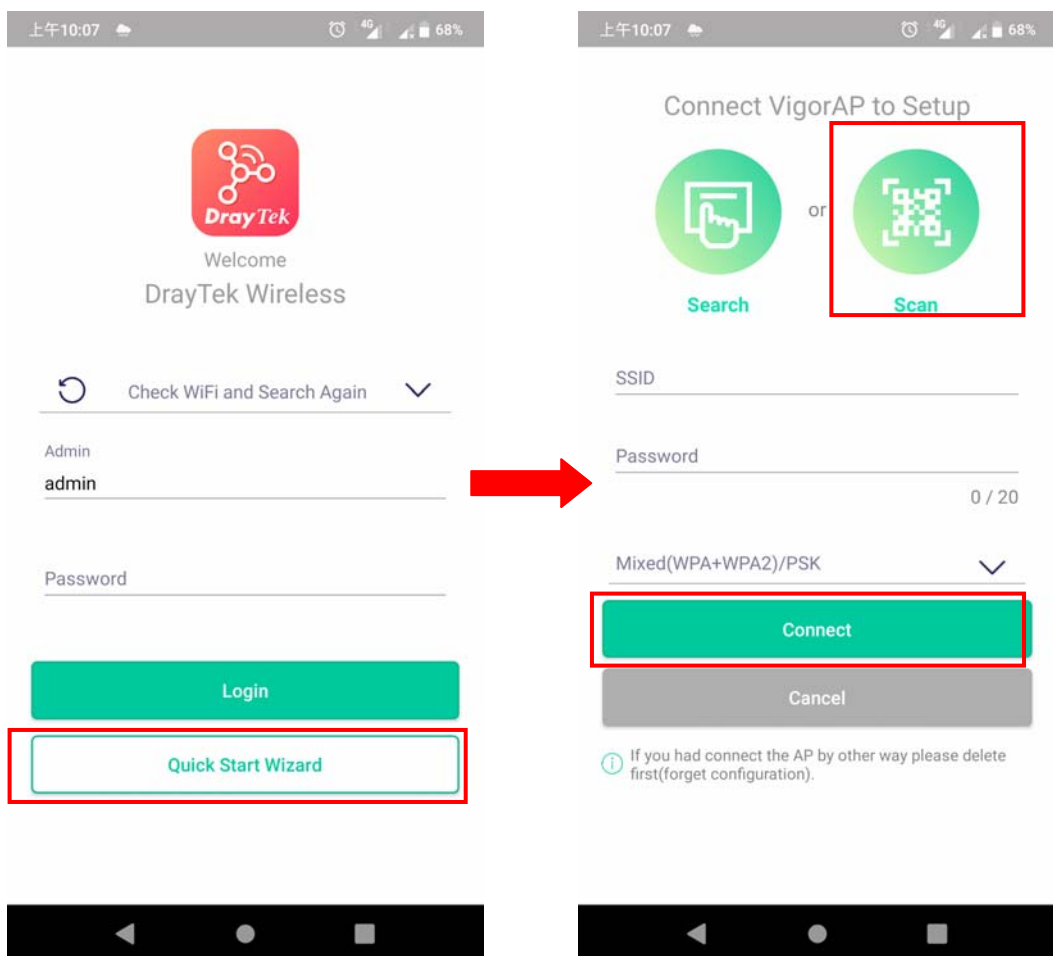
**Method 2:**

(a) Use a mobile phone to scan the QR code named with **DrayTek Wireless App** to download DrayTek Wireless APP.



(b) After downloading, run the APP.

(c) Click Quick Start Wizard. Next, scan the QR code named with **Connect SSID**. Later, click **Connect** to access into the APP user interface of VigorAP 1060C to set the device in AP or Range Extender mode.



## 5. Customer Service

If the device cannot work correctly after trying many efforts, please contact your dealer/DrayTek for further help right away. For any questions, please feel free to send e-mail to "support@draytek.com".

### Be a Registered Owner

Web registration is preferred. You can register your Vigor router via <https://myvigor.draytek.com>.

### Firmware & Tools Updates

Due to the continuous evolution of DrayTek technology, all routers will be regularly upgraded. Please consult the DrayTek web site for more information on newest firmware, tools and documents.

<https://www.draytek.com>

**GPL Notice** This DrayTek product uses software partially or completely licensed under the terms of the GNU GENERAL PUBLIC LICENSE. The author of the software does not provide any warranty. A Limited Warranty is offered on DrayTek products. This Limited Warranty does not cover any software applications or programs.

To download source codes please visit:

<http://gplsource.draytek.com>

GNU GENERAL PUBLIC LICENSE:

<https://gnu.org/licenses/gpl-2.0>

Version 2, June 1991

For any question, please feel free to contact DrayTek technical support at support@draytek.com for further information.

## Intellectual Property Rights (IPR) Information

<b>Copyrights</b>	© All rights reserved. This publication contains information that is protected by copyright. No part may be reproduced, transmitted, transcribed, stored in a retrieval system, or translated into any language without written permission from the copyright holders.
<b>Trademarks</b>	The following trademarks are used in this document: <ul style="list-style-type: none"> <li>● Microsoft is a registered trademark of Microsoft Corp.</li> <li>● Windows, Windows 8, 10 and Explorer are trademarks of Microsoft Corp.</li> <li>● Apple and Mac OS are registered trademarks of Apple Inc.</li> <li>● Other products may be trademarks or registered trademarks of their respective manufacturers.</li> </ul>

## Safety Instructions and Approval

<b>Safety Instructions</b>	<ul style="list-style-type: none"> <li>● Read the installation guide thoroughly before you set up the device.</li> <li>● The device is a complicated electronic unit that may be repaired only be authorized and qualified personnel. Do not try to open or repair the device yourself.</li> <li>● Do not place the device in a damp or humid place, e.g. a bathroom.</li> <li>● Do not stack the devices.</li> <li>● The device should be used in a sheltered area, within a temperature range of 0 to +40 Celsius.</li> <li>● Do not expose the device to direct sunlight or other heat sources. The housing and electronic components may be damaged by direct sunlight or heat sources.</li> <li>● Do not deploy the cable for LAN connection outdoor to prevent electronic shock hazards.</li> <li>● Keep the package out of reach of children.</li> <li>● When you want to dispose of the device, please follow local regulations on conservation of the environment.</li> </ul>
<b>Warranty</b>	We warrant to the original end user (purchaser) that the device will be free from any defects in workmanship or materials for a period of two (2) years from the date of purchase from the dealer. Please keep your purchase receipt in a safe place as it serves as proof of date of purchase. During the warranty period, and upon proof of purchase, should the product have indications of failure due to faulty workmanship and/or materials, we will, at our discretion, repair or replace the defective products or components, without charge for either parts or labor, to whatever extent we deem necessary to restore the product to proper operating condition. Any replacement will consist of a new or re-manufactured functionally equivalent product of equal value, and will be offered solely at our discretion. This warranty will not apply if the product is modified, misused, tampered with, damaged by an act of God, or subjected to abnormal working conditions. The warranty does not cover the bundled or licensed software of other vendors. Defects which do not significantly affect the usability of the product will not be covered by the warranty. We reserve the right to revise the manual and online documentation and to make changes from time to time in the contents hereof without obligation to notify any person of such revision or changes.

## Regulatory Information

### Federal Communication Commission Interference Statement

This equipment has been tested and found to comply with the limits for a Class B digital device, pursuant to Part 15 of the FCC Rules. These limits are designed to provide reasonable protection against harmful interference in a residential installation. This equipment generates, uses and can radiate radio frequency energy and, if not installed and used in accordance with the instructions, may cause harmful interference to radio communications. However, there is no guarantee that interference will not occur in a particular installation. If this equipment does cause harmful interference to radio or television reception, which can be determined by turning the equipment off and on, the user is encouraged to try to correct the interference by one of the following measures:

- Reorient or relocate the receiving antenna.
- Increase the separation between the equipment and receiver.
- Connect the equipment into an outlet on a circuit different from that to which the receiver is connected.
- Consult the dealer or an experienced radio/TV technician for help.



This device complies with Part 15 of the FCC Rules. Operation is subject to the following two conditions:

- (1) This device may not cause harmful interference, and
- (2) This device may accept any interference received, including interference that may cause undesired operation.

Radiation Exposure Statement: This equipment complies with FCC radiation exposure limits set forth for an uncontrolled environment. This equipment should be installed and operated with minimum distance 20cm between the radiator & your body.

USA Local Representative	Company name	ABP International Inc.		
	Address	13988 Diplomat Drive Suite 180 Dallas TX 75234		
	ZIP Code	75234	E-mail	rmesser@abptech.com
	Contact Person	Mr. Robert Messer	Tel.	19728311600



## Declaration of Conformity

Hereby, DrayTek Corporation declares that the radio equipment type VigorAP 1060C is in compliance with Directive 2014/53/EU.

The full text of the EU declaration of conformity is available at the following internet address:


[https://www.draytek.com.tw/ftp/VigorAP 1060C/Document/CE/](https://www.draytek.com.tw/ftp/VigorAP%201060C/Document/CE/)

Manufacturer: DrayTek Corp.

Address: No. 26, Fushing Rd, Hukou, Hsinchu Industrial Park, Hsinchu 303, Taiwan

Product: VigorAP 1060C

Frequency Information for Europe area:

2.4G WLAN	2412MHz - 2472 MHz, max. TX power: 19.86 dBm *1
5G WLAN	5150MHz - 5350 MHz, max. TX power: 22.85 dBm; 5470MHz - 5725 MHz, max. TX power: 28.84 dBm *2
	Requirements in AT/BE/BG/CZ/DZ/DK/EE/FR/DE/IS/IE/IT/EL/ES/ CY/LV/LI/LT/ LU/HU/MT/ NL/NO/PL/PT/RO/SI/SK/TR/FI/SE/CH/HR. 5150MHz~5350MHz is for indoor use only.

(\*1: for 2.4G WLAN model; \*2: for 5G WLAN model)

This product is designed for 2.4GHz and 5GHz WLAN network throughout the EC region.



## Declaration of Conformity

Hereby, DrayTek Corporation declares that the radio equipment type VigorAP 1060C is in compliance with Regulation SI 2017 No. 1206.

The full text of the UKCA Declaration of Conformity is available at the following internet address:

[https://www.draytek.com.tw/ftp/ VigorAP 1060C/Document/UKCA/](https://www.draytek.com.tw/ftp/VigorAP%201060C/Document/UKCA/)


Manufacturer: DrayTek Corp.

Address: No. 26, Fushing Rd, Hukou, Hsinchu Industrial Park, Hsinchu 303, Taiwan

Product: VigorAP 1060C

Importer: SEG, 11 Capital Business Park, Borehamwood, Herts, WD6 1GW

Frequency Information for UK area:

2.4G WLAN	2412MHz - 2472 MHz, max. TX power: 19.86dBm *1
5G WLAN	5150MHz - 5350 MHz, max. TX power: 22.85 dBm; 5470MHz - 5725 MHz, max. TX power: 28.84 dBm *2
	Requirements in UK. 5150MHz - 5350MHz is for indoor use only.

(\*1: for 2.4G WLAN model; \*2: for 5G WLAN model)

This product is designed for 2.4GHz and 5GHz WLAN network use in the UK & Ireland.

### Caution

- Any changes or modifications not expressly approved by the grantee of this device could void the user's authority to operate the equipment.
- Any changes or modifications not expressly approved by the party responsible for compliance could void the user's authority to operate this equipment.
- This equipment complies with CE RF radiation exposure limits set forth for an uncontrolled environment. This equipment should be installed and operated with minimum distance 20cm between the radiator & your body.
- Operations in the 5.15-5.35GHz band are restricted to indoor usage only.